

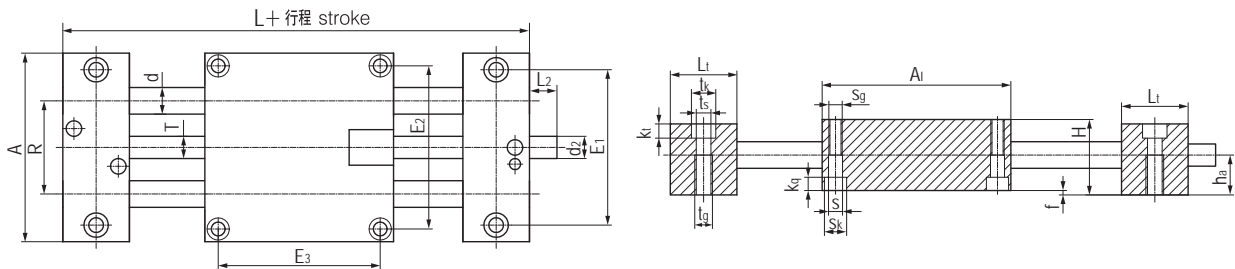
LMS01直线模组 Linear modules



产品特性 Product features

- 标准设计模组
- 可选不同轴材料和丝杆
- 免维护，耐腐蚀
- 可选丝杆TR10x2, TR18x4, TR24x5
- 可在+60 °C环境中长期使用
- 配合丝杆螺母可单独供货P271
- 配合电机参考P277
- 可选附件参考P278
- Standard design
- Various materials for shaft and lead screw
- Maintenance-free and optionally corrosion resistant
- TR10x2, TR18x4, TR24x5
- Temperature resistant up to +60 °C
- Lead screw nuts are available separately Page 271
- Available with motor Page 277
- Available accessories Page 278

标准规格 Standard specifications



| 产品编码 Part No. | 产品编码 Part No. | 最大行程 Max. stroke length [mm] | 铝合金轴 Aluminium shaft [kg] | | 钢轴 Steel shaft [kg] | | 最大静态载荷 Max. stat. load capacity [N] | |
|------------------|--------------------|------------------------------------|---------------------------|---------------------------------|---------------------|---------------------------------|--|--------------|
| | | | 重量 Weight | 增加重量 Additional (每Per 100mm) | 重量 Weight | 增加重量 Additional (每Per 100mm) | 轴向 Axial | 径向 Radial |
| LMS01-12-AS-0000 | LMS01BB-12-AS-0000 | 750 | 1.1 | 0.1 | 1.3 | 0.2 | 700 | 2800 |
| LMS01-20-AS-0000 | LMS01BB-20-AS-0000 | 1000 | 3.2 | 0.3 | 3.9 | 0.6 | 1600 | 6400 |
| LMS01-30-AS-0000 | LMS01BB-30-AS-0000 | 1250 | 8.6 | 0.6 | 10.9 | 1.4 | 2500 | 10000 |

| 产品编码 Part No. | 产品编码 Part No. | A-0.3 | A ₁ -0.3 | H | E ₁ ± 0.15 | E ₂ ± 0.15 | E ₃ ± 0.15 | L | R | f | L ₁ ± 0.1 | t _k | t _s |
|------------------|--------------------|-------|---------------------|----|-----------------------|-----------------------|-----------------------|-----|----|---|----------------------|----------------|----------------|
| LMS01-12-AS-0000 | LMS01BB-12-AS-0000 | 85 | 85 | 34 | 70 | 73 | 73 | 145 | 42 | 2 | 30 | 11 | 6.6 |
| LMS01-20-AS-0000 | LMS01BB-20-AS-0000 | 130 | 130 | 48 | 108 | 115 | 115 | 202 | 72 | 2 | 36 | 15 | 9 |
| LMS01-30-AS-0000 | LMS01BB-30-AS-0000 | 180 | 180 | 68 | 150 | 158 | 158 | 280 | 96 | 4 | 50 | 20 | 13.5 |

| 产品编码 Part No. | 产品编码 Part No. | t _g | k ₁ ± 0.1 | s | s _k | S _g | k _q | d | T | L ₂ | d ₂ | h _a |
|------------------|--------------------|----------------|----------------------|-----|----------------|----------------|----------------|----|----------|----------------|----------------|----------------|
| LMS01-12-AS-0000 | LMS01BB-12-AS-0000 | M8 | 6.4 | 6.3 | 10 | M6 | 6 | 12 | Tr10 × 2 | 17 | 8 h9 | 18 |
| LMS01-20-AS-0000 | LMS01BB-20-AS-0000 | M10 | 8.6 | 6.4 | 11 | M8 | 7 | 20 | Tr18 × 4 | 26 | 12 h9 | 23 |
| LMS01-30-AS-0000 | LMS01BB-30-AS-0000 | M16 | 12.6 | 11 | 18 | M12 | 10.6 | 30 | Tr24 × 5 | 38 | 14 h9 | 36 |

*BB: 滚珠轴承设计 Ball bearing design

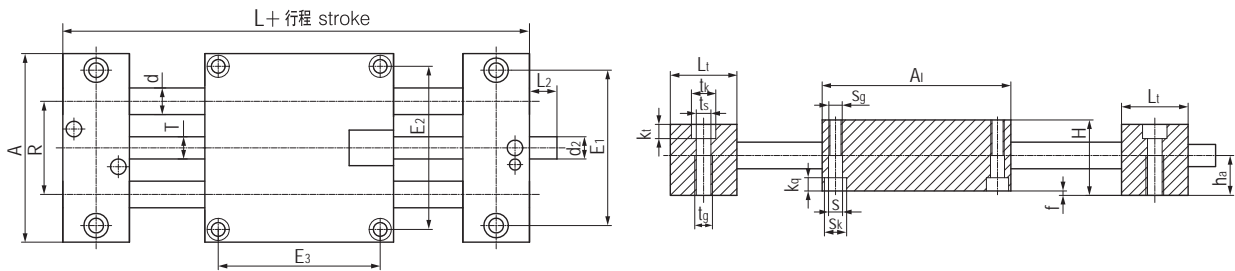
LMS01PL直线模组 Linear modules



产品特性 Product features

- 预紧梯形丝杠螺母，预紧力：50N
 - 手动和连续可调的径向游隙
 - 免维护且重量轻
 - 耐高温高达+60℃
 - 配合丝杆螺母可单独供货P271
 - 配合电机参考P277
 - 可选附件参考P278
- Preloaded trapezoidal lead screw nuts, preload force: 50 N
 - Manually and continuously adjustable radial clearance
 - Lubrication-free and lightweight
 - Temperature resistant up to +60 °C
 - Lead screw nuts are available separately Page 271
 - Available with motor Page 277
 - Available accessories Page 278

标准规格 Standard specifications



| 产品编码 Part No. | 产品编码 Part No. | 最大行程 Max. stroke length [mm] | 铝合金轴 Aluminium shaft [kg] | | 钢轴 Steel shaft [kg] | | 最大静态载荷 Max. stat. load capacity [N] | |
|--------------------|----------------------|------------------------------------|---------------------------|------------------------------------|---------------------|------------------------------------|--|-----------|
| | | | 重量 Weight | 增加重量 Additional (每Per 100mm) | 重量 Weight | 增加重量 Additional (每Per 100mm) | 轴向 Axial | 径向 Radial |
| LMS01-12PL-AS-0000 | LMS01BB-12PL-AS-0000 | 750 | 1.1 | 0.1 | 1.3 | 0.2 | 700 | 2800 |
| LMS01-20PL-AS-0000 | LMS01BB-20PL-AS-0000 | 1000 | 3.2 | 0.3 | 3.9 | 0.6 | 1600 | 6400 |
| LMS01-30PL-AS-0000 | LMS01BB-30PL-AS-0000 | 1250 | 8.6 | 0.6 | 10.9 | 1.4 | 2500 | 10000 |

| 产品编码 Part No. | 产品编码 Part No. | A -0.3 | A ₁ -0.3 | H | E ₁ ± 0.15 | E ₂ ± 0.15 | E ₃ ± 0.15 | L | R | f | L ₁ ± 0.1 | t _k | t _s |
|--------------------|----------------------|--------|---------------------|----|-----------------------|-----------------------|-----------------------|-----|----|---|----------------------|----------------|----------------|
| LMS01-12PL-AS-0000 | LMS01BB-12PL-AS-0000 | 85 | 85 | 34 | 70 | 73 | 73 | 145 | 42 | 2 | 30 | 11 | 6.6 |
| LMS01-20PL-AS-0000 | LMS01BB-20PL-AS-0000 | 130 | 130 | 48 | 108 | 115 | 115 | 202 | 72 | 2 | 36 | 15 | 9 |
| LMS01-30PL-AS-0000 | LMS01BB-30PL-AS-0000 | 180 | 180 | 68 | 150 | 158 | 158 | 280 | 96 | 4 | 50 | 20 | 13.5 |

| 产品编码 Part No. | 产品编码 Part No. | t _g | k ₁ ± 0.1 | s | s _k | s _g | k ₁ | d | T | L ₂ | d ₂ | h _a |
|--------------------|----------------------|----------------|----------------------|-----|----------------|----------------|----------------|----|----------|----------------|----------------|----------------|
| LMS01-12PL-AS-0000 | LMS01BB-12PL-AS-0000 | M8 | 6.4 | 6.3 | 10 | M6 | 6 | 12 | Tr10 × 2 | 17 | 8 h9 | 18 |
| LMS01-20PL-AS-0000 | LMS01BB-20PL-AS-0000 | M10 | 8.6 | 6.4 | 11 | M8 | 7 | 20 | Tr18 × 4 | 26 | 12 h9 | 23 |
| LMS01-30PL-AS-0000 | LMS01BB-30PL-AS-0000 | M16 | 12.6 | 11 | 18 | M12 | 10.6 | 30 | Tr24 × 5 | 38 | 15 h9 | 36 |

*BB: 滚珠轴承设计 Ball bearing design

PL: 带预紧 Preload

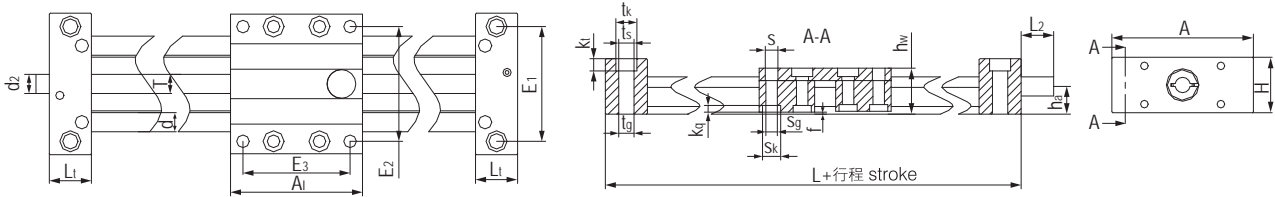
LMS02直线模组 Linear modules



产品特性 Product features

- 紧凑型设计
- 稳定传动
- 表面硬化处理铝制WR导轨
- 配合丝杆螺母可单独供货P271
- 配合电机参考P277
- 可选附件参考P278
- Flat and compact
- High torsional stability
- Aluminium WR guide rails, hard anodized
- Lead screw nuts are available separately Page 271
- Available with motor Page 277
- Available accessories Page 278

标准规格 Standard specifications



| 产品编码 Part No. | 最大行程 Max. stroke length [mm] | WR重量 Weight [kg] | 增加重量 Additional (每Per 100mm) | 最大静态载荷 Max. stat. load capacity [N] | | 轴端支撑座材料 End block material |
|------------------|---------------------------------|---------------------|---------------------------------|-------------------------------------|-----------|-------------------------------|
| | | | | 轴向 Axial | 径向 Radial | |
| LMS02-1040-0000 | 750 | 0.7 | 0.10 | 700 | 2800 | 铝 |
| LMS02-1080-0000 | 750 | 0.9 | 0.20 | 700 | 2800 | 铝 |
| LMS02-1660-0000 | 750 | 1.5 | 0.30 | 1200 | 4600 | 铝 |
| LMS02-2080-0000 | 1000 | 3.0 | 0.40 | 1600 | 6400 | 铝 |

| 产品编码 Part No. | A-0.3 | A ₁ -0.3 | H | E ₁ ± 0.15 | E ₂ ± 0.15 | E ₃ ± 0.15 | L | h _w | f | L ₁ ± 0.1 | t _k | t _s | t _g |
|-----------------|-------|---------------------|----|-----------------------|-----------------------|-----------------------|-----|----------------|-----|----------------------|----------------|----------------|----------------|
| LMS02-1040-0000 | 74 | 69 | 29 | 60 | 60 | 56 | 113 | 24 | 1.5 | 22 | 11 | 6.8 | M8 |
| LMS02-1080-0000 | 108 | 100 | 29 | 94 | 94 | 87 | 144 | 24 | 1.5 | 22 | 11 | 6.8 | M8 |
| LMS02-1660-0000 | 104 | 100 | 37 | 84 | 86 | 82 | 150 | 35 | 1.5 | 25 | 15 | 9 | M10 |
| LMS02-2080-0000 | 134 | 150 | 46 | 116 | 116 | 132 | 206 | 44 | 1.5 | 28 | 15 | 8.6 | M10 |

| 产品编码 Part No. | k ₁ ± 0.1 | s | s _k | S _g | k _q | d | T | L ₂ | d ₂ | h _a |
|-----------------|----------------------|-----|----------------|----------------|----------------|----|----------|----------------|----------------|----------------|
| LMS02-1040-0000 | 6.4 | 6.6 | 9.5 | M6 | 4.4 | 10 | Tr10 × 2 | 17 | 6 h9 | 14.5 |
| LMS02-1080-0000 | 6.4 | 6.6 | 9.5 | M6 | 4.4 | 10 | Tr10 × 2 | 17 | 6 h9 | 14.5 |
| LMS02-1660-0000 | 8.6 | 9.0 | 11.0 | M8 | 5.5 | 16 | Tr14 × 4 | 20 | 8 h9 | 18.5 |
| LMS02-2080-0000 | 8.6 | 9.0 | 14.0 | M8 | 5.5 | 20 | Tr18 × 4 | 26 | 12 h9 | 23.0 |

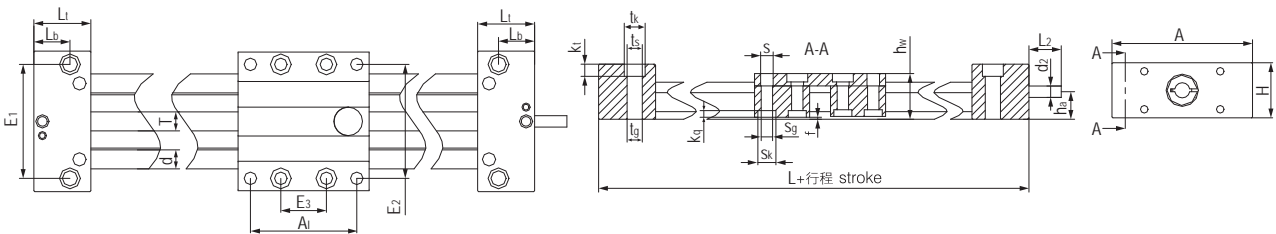
LMS02BB直线模组 Linear modules



产品特性 Product features

- 较低的驱动力
 - 表面硬化处理铝制WR导轨
 - 降低了系统振动，噪音低
 - 丝杆两端采用滚珠轴承支撑
 - 配合丝杆螺母可单独供货P271
 - 配合电机参考P277
 - 可选附件参考P278
- Lower drive force
 - Aluminum WR guide rails, hard anodized
 - Quiet operation – reduced vibration of the overall system
 - Ball bearings in both lead screw end supports
 - Lead screw nuts are available separately Page 271
 - Available with motor Page 277
 - Available accessories Page 278

标准规格 Standard specifications



| 产品编码 Part No. | 最大行程 Max. stroke length [mm] | 重量 Weight [kg] | 增加重量 Additional (每Per 100mm) | 最大静态载荷 Max. stat. load capacity [N] | | 极限转速 [1/min] | 最大进给率 [m/min] |
|-------------------|------------------------------------|-------------------|---------------------------------|--|-----------|-----------------|------------------|
| | | | | 轴向 Axial | 径向 Radial | | |
| LMS02BB-1040-0000 | 500 | 0.90 | 0.10 | 500 | 2000 | 1500 | 3.0 |
| LMS02BB-1080-0000 | 500 | 1.10 | 0.20 | 500 | 2000 | 1500 | 3.0 |
| LMS02BB-1660-0000 | 750 | 1.80 | 0.30 | 700 | 2800 | 1500 | 6.0 |
| LMS02BB-2080-0000 | 900 | 3.30 | 0.40 | 1250 | 5000 | 1500 | 6.0 |

| 产品编码 Part No. | A-0.3 | A1-0.3 | H | E1 ± 0.15 | E2 ± 0.15 | E3 ± 0.15 | L | hw | f | L1 ± 0.1 | Lb | tk | ts | tq |
|-------------------|-------|--------|----|-----------|-----------|-----------|-----|----|-----|----------|------|----|-----|-----|
| LMS02BB-1040-0000 | 74 | 69 | 29 | 60 | 60 | 56 | 129 | 24 | 1.5 | 30 | 19 | 11 | 6.8 | M8 |
| LMS02BB-1080-0000 | 108 | 100 | 29 | 94 | 94 | 87 | 144 | 24 | 1.5 | 30 | 19 | 11 | 6.8 | M8 |
| LMS02BB-1660-0000 | 104 | 100 | 37 | 84 | 86 | 82 | 170 | 35 | 1.5 | 35 | 22.5 | 15 | 9.0 | M10 |
| LMS02BB-2080-0000 | 134 | 150 | 46 | 116 | 116 | 132 | 230 | 44 | 1.5 | 40 | 26 | 15 | 9.0 | M10 |

| 产品编码 Part No. | ki ± 0.1 | s | sk | sj | ka | d | T | L2 | d2 | ha |
|-------------------|----------|-----|------|----|-----|----|----------|----|-------|------|
| LMS02BB-1040-0000 | 6.4 | 6.6 | 9.5 | M6 | 4.4 | 10 | Tr10 × 2 | 17 | 6 h9 | 14.5 |
| LMS02BB-1080-0000 | 6.4 | 6.6 | 9.5 | M6 | 4.4 | 10 | Tr10 × 2 | 17 | 6 h9 | 14.5 |
| LMS02BB-1660-0000 | 8.6 | 9.0 | 11.0 | M8 | 5.5 | 16 | Tr14 × 4 | 20 | 8 h9 | 18.5 |
| LMS02BB-2080-0000 | 8.6 | 9.0 | 14.0 | M8 | 5.5 | 20 | Tr18 × 4 | 26 | 12 h9 | 23.0 |

*BB: 滚珠轴承设计 Ball bearing design

LMS03直线模组 Linear modules



产品特性 Product features

- 轻载快速定位
 - 紧凑型无噪音设计
 - 驱动轴单边或双边设计
 - 多种滑块长度可选
 - 配合电机参考P277
 - 可选附件参考P278
- Fast positioning of small loads
 - Quiet operation and flat design
 - Drive shaft on one or both sides
 - Linear carriages available in different lengths
 - Available with motor Page 277
 - Available accessories Page 278

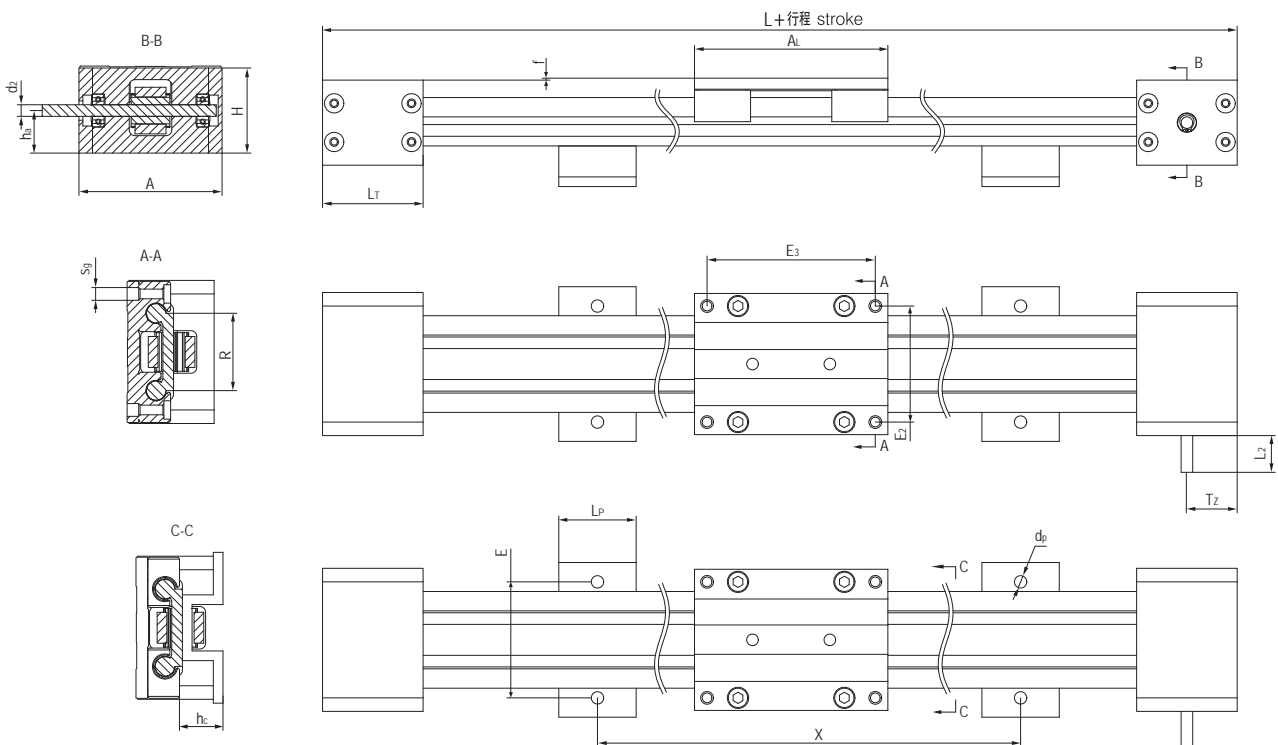
LMS03

CSB-LMS®

www.csb-ep.com
sales@csb-ep.com

Tel: 0086 573 84186133/84185527
Fax: 0086 573 84185517

标准规格 Standard specifications



| 产品编码 Part No. | A0/0.3 | AL | H | E2 ± 0.15 | E3 ± 0.15 | L | R ± 0.15 | f | L _T ± 0.30 | sg | ha | hc | l2 | d2 (h9) | X | E ± 0.2 | L _p | dP |
|------------------|--------|-----|----|-----------|-----------|-----|----------|---|-----------------------|----|----|------|----|---------|----------------|---------|----------------|-----|
| LMS03-1040-0000 | 74 | 100 | 44 | 60 | 87 | 204 | 40 | 1 | 52 | M6 | 22 | 22.5 | 20 | 10 | 可调 Variable | 60 | 40 | 6.4 |
| LMS03-1080-0000 | 90 | 100 | 44 | 94 | 87 | 204 | 74 | 1 | 52 | M6 | 22 | 22.5 | 12 | 10 | 可调 Variable | 94 | 40 | 6.4 |
| LMS03-1660-0000 | 104 | 100 | 72 | 86 | 82 | 252 | 60 | 2 | 76 | M8 | 43 | 22.5 | 20 | 14 | 可调 Variable | 100 | 40 | 9.0 |

| 产品编码 Part No. | 重量 Weight [kg] | | 最大行程 Max. stroke length [mm] | 导程 Transmission [mm/rev] | 齿形 Tooth profile | 宽度 Toothed belt width [mm] | 张力 Toothed belt tension [N] | 最大径向力 Max. radial load [N] | 导向轴承 Guide bearing | 最大速度 Max. speed [m/s] | 最大定位精度 Max. position variation [mm] |
|------------------|--------------------------|-------------------|---------------------------------------|--------------------------------|------------------------|-------------------------------------|--------------------------------------|-------------------------------------|--------------------------|-----------------------------|--|
| | 无行程 Without stroke | 100mm行程 Stroke | | | | | | | | | |
| LMS03-1040-0000 | 1 | 0.14 | 2000 | 70 | 5M | 16 | 200 | 300 | 滚珠轴承 Ball bearing | 5 | ± 0.2 |
| LMS03-1080-0000 | 1.3 | 0.2 | 2000 | 70 | 5M | 16 | 200 | 300 | 滚珠轴承 Ball bearing | 5 | ± 0.2 |
| LMS03-1660-0000 | 4 | 0.5 | 3000 | 120 | 5M | 32 | 500 | 2000 | 滚珠轴承 Ball bearing | 5 | ± 0.2 |

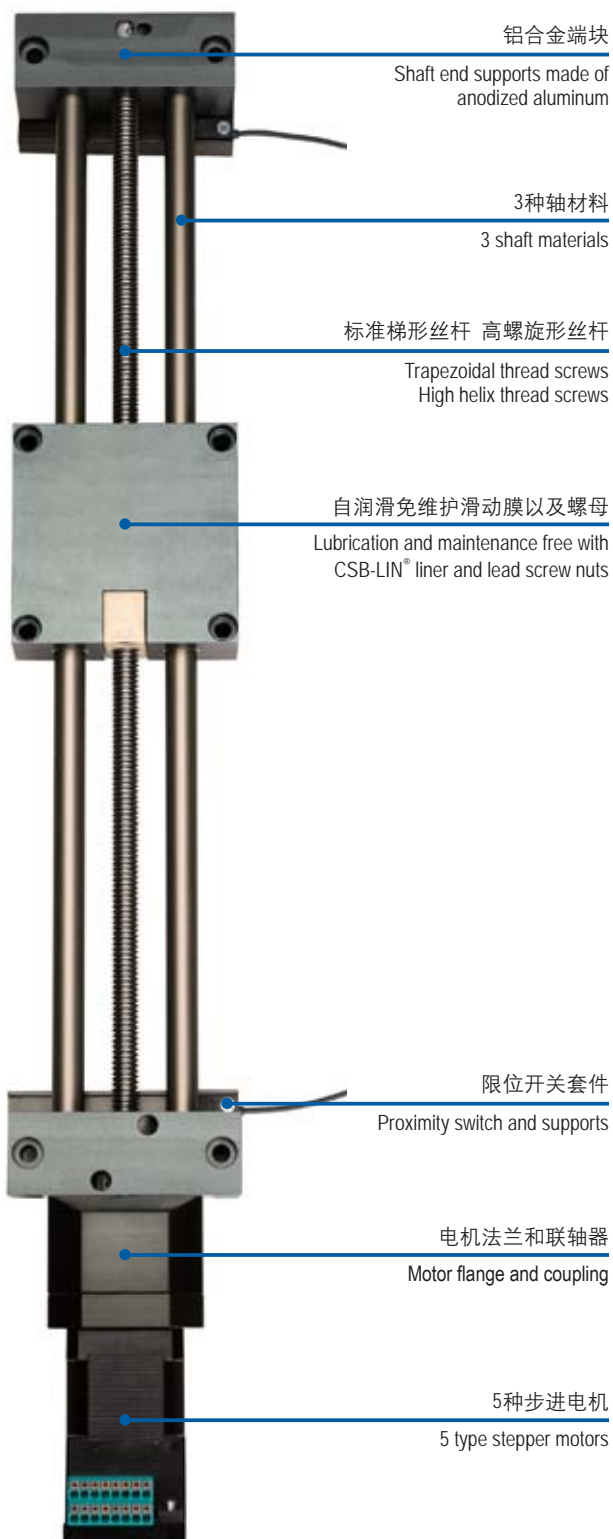
LMS04直线模组 Linear modules



产品特性 Product features

- 薄型设计，采用梯形丝杆和导轨平行安装
 - 自润滑，高效能，重量轻
 - 可自由设计间距和长度
 - 可选右旋或左旋丝杆
 - 配合丝杆螺母可单独供货P260
 - 配合电机参考P277
 - 可选附件参考P278
- Low profile structure through lateral lead screw arrangement
 - Lubrication-free, high efficiency, lightweight
 - Variable pitch and length
 - Lead screw arrangement can be selected either left or right
 - Lead screw nuts are available separately Page 260
 - Available with motor Page 277
 - Available accessories Page 278

LMS01-E直线模组 Linear modules



LMS02-E直线模组 Linear modules



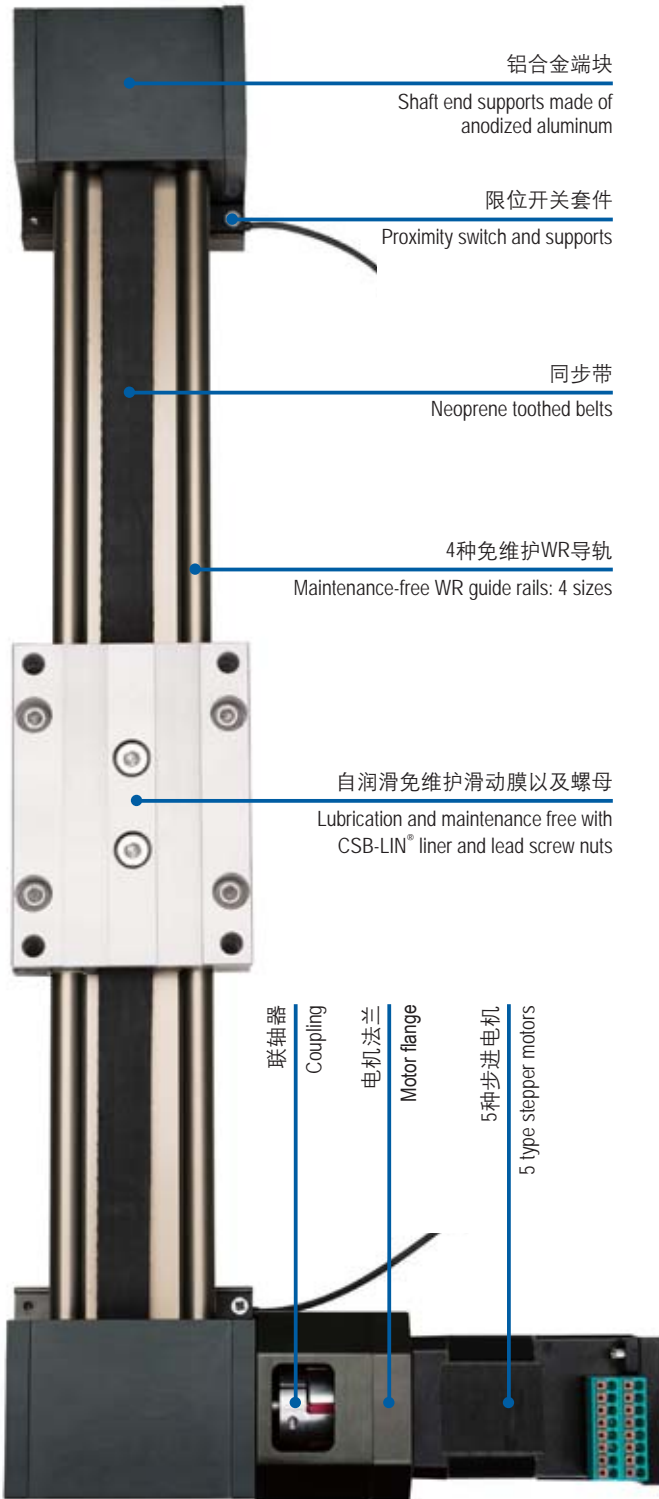
LMS

CSB-LMS[®]

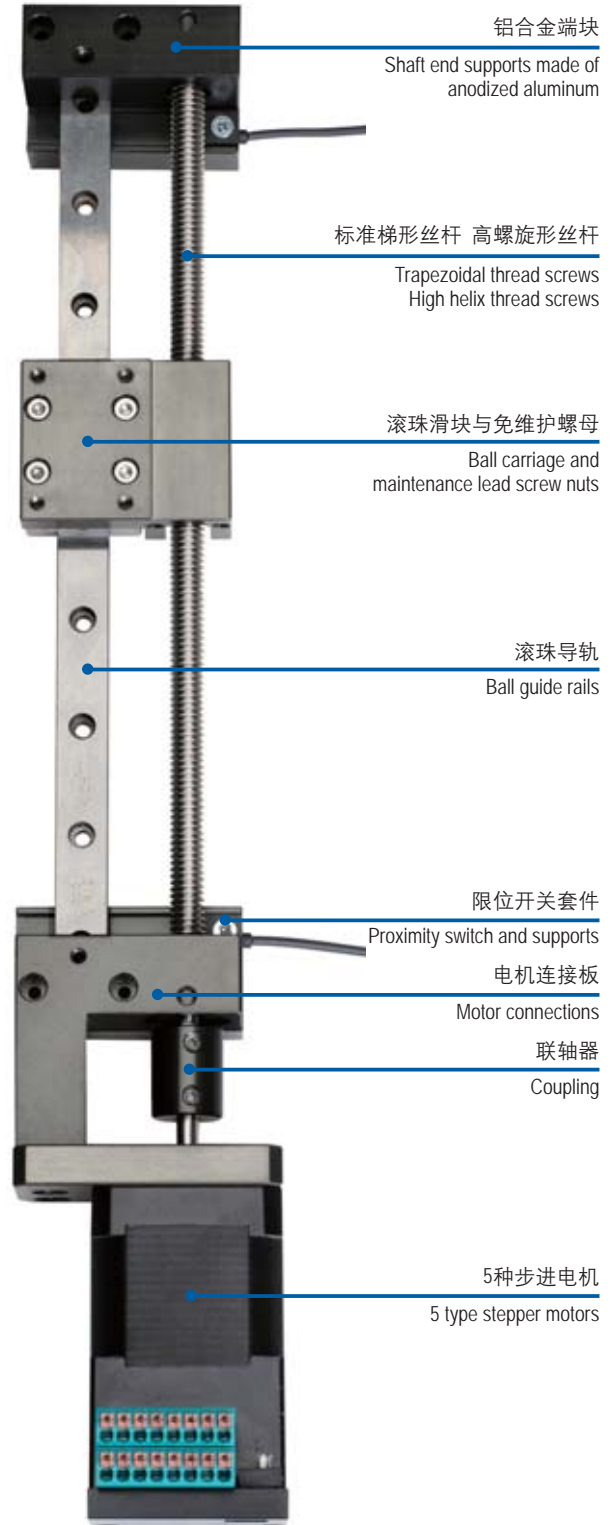
www.csb-ep.com
sales@csb-ep.com

Tel: 0086 573 84186133/84185527
Fax: 0086 573 84185517

LMS03-E直线模组 Linear modules



LMS04-E直线模组 Linear modules



LMS

CSB-LMS®

www.csb-ep.com
sales@csb-ep.com

Tel: 0086 573 84186133/84185527
Fax: 0086 573 84185517